

Track System Specification

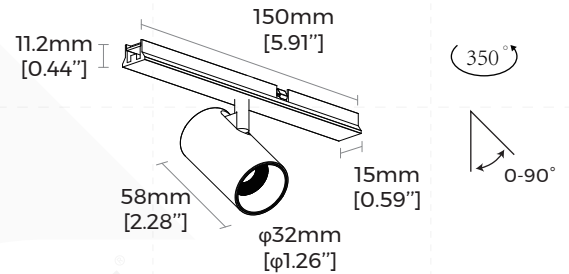
M15S-32

— MagTrack 15 series



【Basic Parameters】

- Material: AL6063-T5, spraying surface
- Coating: Black/White
- IP grade: IP20
- CCT: 3000/4000K optional
- CRI: 90
- SDCM(Whole Luminaire): <5 Step (ANSI)
- SDCM(Light source): <3 Step (ANSI)
- Input voltage: DC48V
- Working temperature: -15℃ ~35℃
- Lighting direction: Downward
- Dimming method: Non-dimming
- Application: Indoor
- Certification: CE, ROHS, Reach
- Warranty: 3 years



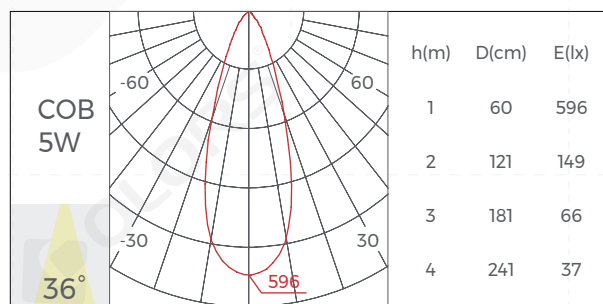
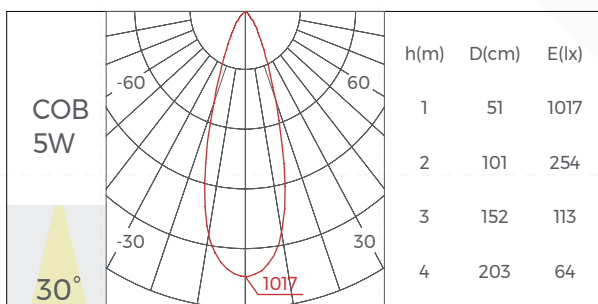
【Luminaire Parameters】

| Version | Model | Size | Input Voltage (V) | Max. Current (A) | Type Power (W) | Max. Power (W) | CRI | Beam Angle | CCT | Lumen (LM) |
|---------|---------|----------|-------------------|------------------|----------------|----------------|-----|------------|-------|------------|
| Normal | M15S-32 | φ32*58mm | 48VDC | 0.104 | 5.0 | 5.5 | >90 | 30° | 3000K | 300 |
| | | | | | | | | | 4000K | 325 |
| | | | | | | | | 36° | 3000K | 250 |
| | | | | | | | | | 4000K | 270 |

Note:

1. The output data is based on the testing result of Ra90,3000K luminaires;
2. The tolerance of output data can be vary up to 10%;
3. The output data is typical value.

【Optical Parameter】



[Packing]

| Model | Size (mm/box) | Quantity /box | Quantity /carton | NW (kg/box) | NW (kg/carton) | GW (kg/carton) | Size (mm/carton) |
|--------------------|---------------------------------|--------------------------|-----------------------------|------------------------|---------------------------|---------------------------|------------------------------------|
| TLS-M15SF32-N930B5 | 190*95*60 [7.5"*3.74"*2.36"] | 1 | 20 | 0.12 | 2.4 | 4.2 | 395*205*325 [15.55"*8.1"*12.8"] |

[Attentions]

1. Non-professionals are prohibited from installing, disassembling and repairing the product.
2. Avoid scratching, distortion and irregular bending of the product during installation; otherwise it may cause irreparable damage to the product.
3. Please use professional cutting tools when cutting
4. Do not use any acid or alkaline adhesive to fix products
5. The product is only suitable for indoor dry places, can not be used in outdoor, seaside or wet environment.